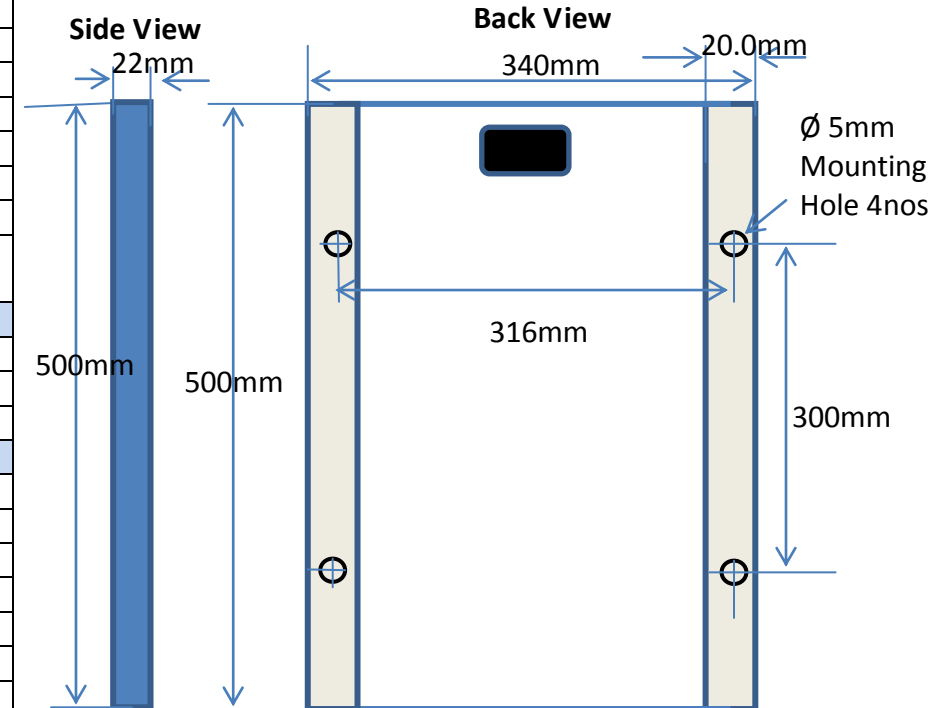




<b>Model No.</b>	<b>ASL-S2012</b>
<b>ELECTRICAL CHARACTERISTIC</b>	
Nominal Power at STC, (Pmax)	20 WP
Maximum Voltage at Pmax, (Vmp)	18.0 V DC
Maximum Current at Pmax, (Imp)	1.111 A
Open Circuit Voltage, (Voc)	21.6 DC
Short Circuit Current, (Isc)	1.244 A
Max. System Voltage	1000V DC
Nominal Operating cell temperature (NOCT)	47°C ± 2°C
Temperature coefficient- power	0.00157%/°C
Standard Test Condition	Irradiance 1000W/m <sup>2</sup> , Module temperature at 25° C and AM 1.5
<b>CELL CHARACTERISTIC</b>	
Type of Solar Cell	Mono / Poly Crystalline, 156x156mm±0.5mm
Number of Cells /Cell Size	36 / 22X156 mm
Arrangement of Cells	18x2
<b>MECHANICAL CHARACTERISTIC</b>	
Frame	Anodized Aluminum alloy
Ground Hole	N/A
Drain Holes	N/A
Front Glass	3.2mm Low Iron, Tempered and Textured Glass
Type of Junction Box	2 Terminal Polycarbonate
Primary Packing Box Dimension (LWH)	515x35x352mm
Number of Module per Secondary Box	5 in one
Secondary Packing Box Dimension (LWH)	540x410x385mm
Weight of Individual Module	2.0 Kgs
Weight of Secondary Box with Module	23.6 Kgs
<b>TOLERANCE</b>	
Power	±5% under STC
Electrical Parameters	±10% under STC
Physical Dimension	±3mm
Weight	±5%

## PHOTOVOLTAIC MODULE DATA SHEET



Mechanical Dimension:

Module Dimension in mm		Mounting Dimension in mm	
Length	500	Length	300
Width	340	Width	316
Channel Thickness	22	Pitch Hole	Ø5
Module Dimension Tolerance ± 3mm			

- Notes:**
- Performance parameters are under Standard Test Conditions (STC) @ 1000W/m<sup>2</sup>, (AM 1.5, 25° C)
  - Max. System Voltage (V DC): As per IEC 61215 Ed.2 1000V & UL 1703 600V
  - Model No. Nomenclature: "ASL" "Stands for Access solar limited", "S" for "Small power series", "R" for "RDSO" series and "P" for "High power Series"
  - Due to continuous development and product improvement, Company reserves the right to change / alter the specifications without any prior notice

Prepared By:

Approved By: