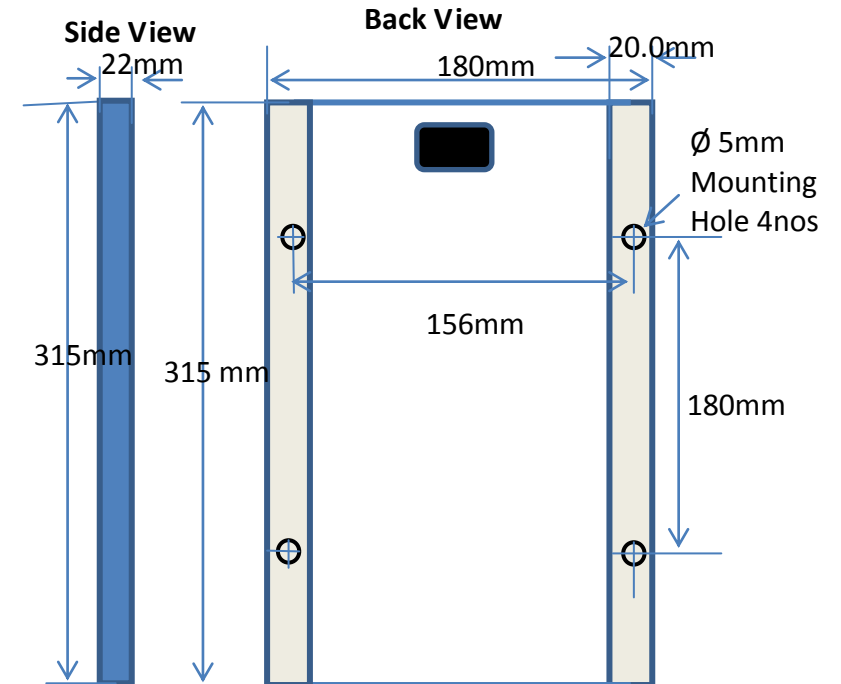




Model No.	ASL-S0506
ELECTRICAL CHARACTERISTIC	
Nominal Power at STC, (Pmax)	5 WP
Maximum Voltage at Pmax, (Vmp)	9.0 V DC
Maximum Current at Pmax, (Imp)	0.556 A
Open Circuit Voltage, (Voc)	10.8 DC
Short Circuit Current, (Isc)	0.622 A
Max. System Voltage	600V DC
Nominal Operating cell temperature (NOCT)	47°C ± 2°C
Temperature coefficient- power	0.00157%/°C
Standard Test Condition	Irradiance 1000W/m ² , Module temperature at 25° C and AM 1.5
CELL CHARACTERISTIC	
Type of Solar Cell	Mono / Poly Crystalline, 156x156mm±0.5mm
Number of Cells /Cell Size	18 / 28X52 mm
Arrangement of Cells	9x2 or 6x3
MECHANICAL CHARACTERISTIC	
Frame	Anodized Aluminum alloy
Ground Hole	N/A
Drain Holes	N/A
Front Glass	3.2mm Low Iron, Tempered and Textured Glass
Type of Junction Box	2 Terminal Polycarbonate
Primary Packing Box Dimension (LWH)	325x35x192mm
Number of Module per Secondary Box	20 in one
Secondary Packing Box Dimension (LWH)	760x345x222mm
Weight of Individual Module	0.75 Kgs
Weight of Secondary Box with Module	18.90 Kgs
TOLERANCE	
Power	±5% under STC
Electrical Parameters	±10% under STC
Physical Dimension	±3mm
Weight	±5%

PHOTOVOLTAIC MODULE DATA SHEET



Mechanical Dimension:

Module Dimension in mm		Mounting Dimension in mm	
Length	315	Length	180
Width	156	Width	156
Channel Thickness	22	Pitch Hole	Ø5
Module Dimension Tolerance ± 3mm			

- Notes:**
- Performance parameters are under Standard Test Conditions (STC) @ 1000W/m², (AM 1.5, 25° C)
 - Max. System Voltage (V DC): As per IEC 61215 Ed.2 1000V & UL 1703 600V
 - Model No. Nomenclature: "ASL" "Stands for Access solar limited", "S" for "Small power series", "R" for "RDSO" series and "P" for "High power Series"
 - Due to continuous development and product improvement, Company reserves the right to change / alter the specifications without any prior notice

Prepared By:

Approved By: